



Love Design. Get Offi!

# WINDOW DESK

## assembly instructions

### TOOLS YOU'LL NEED

provided – 1 allen key

PLEASE read instructions through before assembly.

### LET'S GET STARTED!

UNPACK all components.

LINE UP the leg structures and cross rail as shown.

NOTE that there is a left and a right leg structure; make sure that the cut outs on the top end of the supports are facing inward.

ATTACH the legs to the cross bar using two each of components B, C, and D as shown.

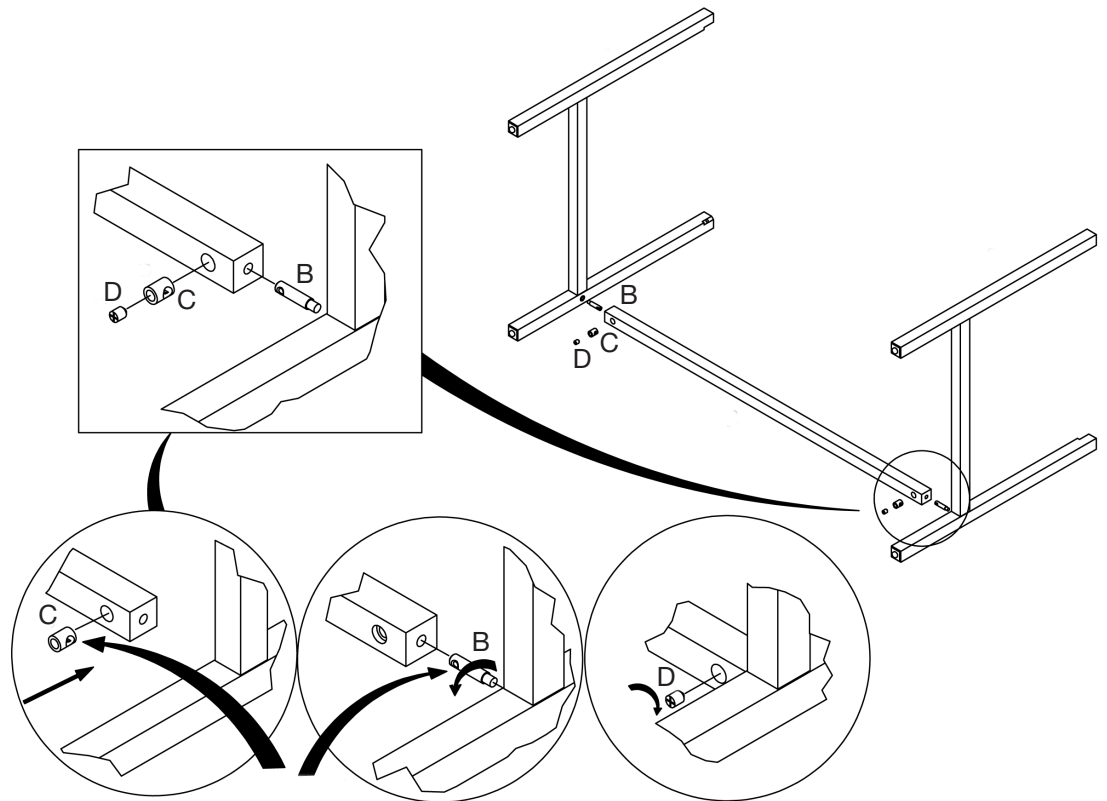
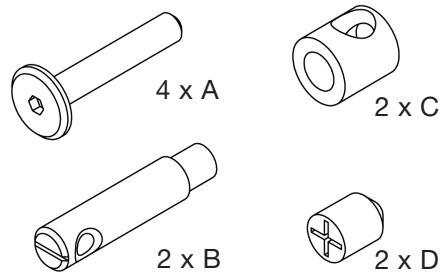
First, fully screw the two components B into the leg structures.

Next, push components C into each end of the cross rail and ensure the opening in B is aligned as shown.

Finally, attach the cross rail to the leg structures and screw in component D as shown to secure the joints.

### WHAT IS IN THE BOX?

- 1 – desk top
- 1 – cross rail
- 1 – allen key
- 1 – left facing leg structure
- 1 – right facing leg structure
- 2 – pre-assembled drawers (in separate box)





Love Design. Get Offi!

# WINDOW DESK

## assembly instructions

ATTACH the base to the table top using 4 of component A and the allen key provided.

SCREW the A bolts through the leg and into the top of the leg structure.

FLIP the desk upright and slide in the two pre-assembled drawers.

