



# PERCH LOUNGE

## assembly instructions

Love Design. Get Offi!

### TOOLS YOU'LL NEED

*a hex key is included, but you can use your own tool if you prefer*

*PLEASE read instructions through before assembly*

### LET'S GET STARTED!

*FLIP the seat upside down, inserts side up*

*LINE UP the bracket holes on the base with inserts on the seat*

*SCREW in the 3 shorter bolts half way to loosely attach the base to the front of the seat*

*SLIDE the rubber spacers between the back of the seat and the back base brackets*

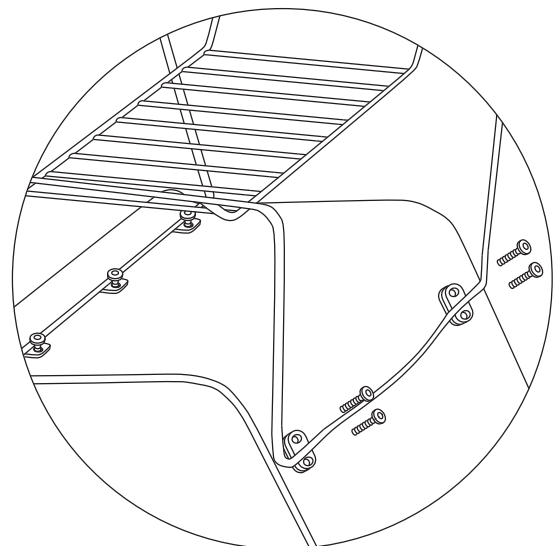
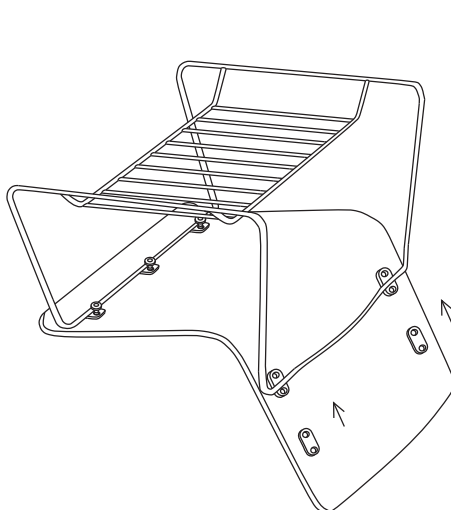
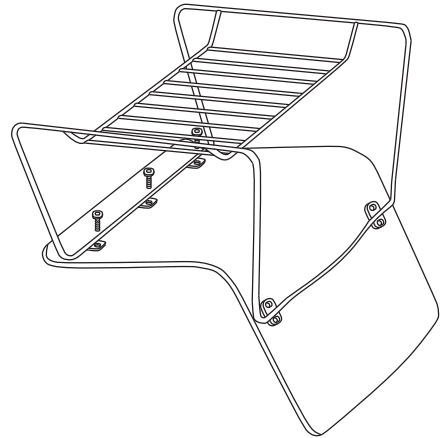
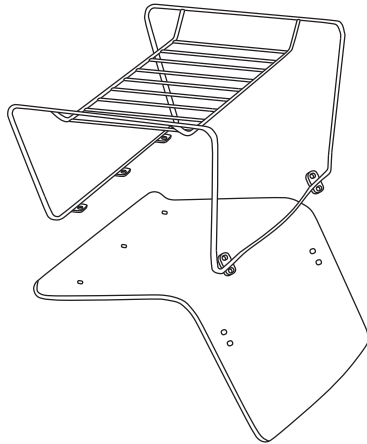
*SCREW in the 4 longer bolts to attach the back of the seat to the base*

*TIGHTEN the 3 shorter bolts to finish attaching the front of the seat to the base*

*FLIP and sit down*

### WHAT IS IN THE BOX?

- 1 - chrome chair base
- 1 - upholstered plywood seat
- 4 - 1" bolts
- 3 - 3/4" bolts
- 2 - rubber spacers
- 1 - hex key



ENJOY YOUR NEW PERCH LOUNGE!

[www.offi.com](http://www.offi.com)

HELP! 1-800-958-OFFI