



**PLEASE read instructions through before assembly!!**

## D2 POCKET DESK

Love Design. Get Offi!

**IMPORTANT: DO NOT TIGHTEN ANY BUTTON HEAD SCREWS UNTIL ALL SCREWS ARE LOOSELY ATTACHED**

### WHAT IS IN THE BOX?

- 1 - desk top
- 1 - desk drawer
- 1 - desk beam
- 4 - casters
- 1 - left facing leg support
- 1 - right facing leg support
- 2 - magnetic catches
- 2 - drawer slides (pre-attached)

- 1 - allen key
- 4 - magnetic catch screws
- 26 - button head screws



### TOOLS YOU'LL NEED

- PROVIDED - 1 allen key
- NOT PROVIDED - 1 phillips head screw driver

### LETS GET STARTED!

1. UNPACK all components

Figure A

1. FLIP desktop upside down
2. ATTACH the 2 magnetic catches as shown, using the 4 magnetic catch screws provided, making sure the horizontal bars on the catch are facing the back edge of the desk top

Figure B

1. LINE UP the legs as shown - brackets facing inwards

\*\*\*NOTE that there is a left and a right leg support, make sure that the cut out between the plates is closer to the back\*\*\*

2. LOOSELY ATTACH the legs using 8 of the button head screws and the allen key provided - DO NOT FULLY TIGHTEN!!

Figure A

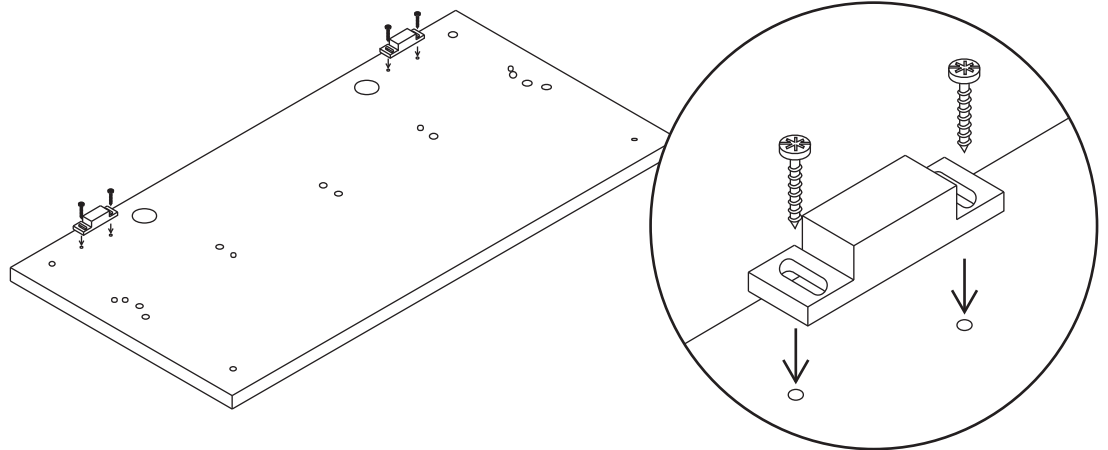
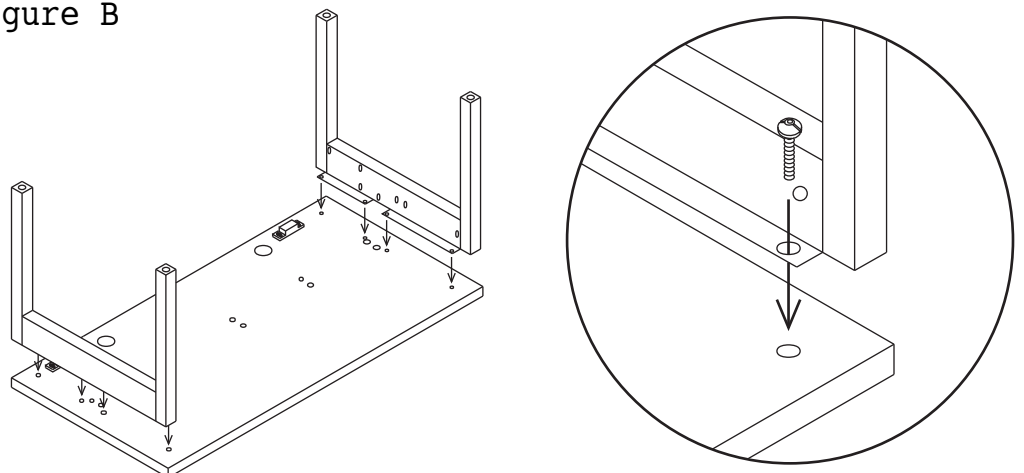


Figure B





# D2 POCKET DESK

## assembly instructions

Love Design. Get Offi!

Figure C

1. **SLIDE** the desk beam into place between the leg supports

**NOTE** that the hinged drawer faces the back of the legs

2. **ATTACH** the desk center beam to the leg supports using the button head screws, 4 per side, finger tighten each screw
3. **PLACE** the remaining button head screws, attaching the beam to the table top - finger tighten
4. **Tighten** screws from Step 2 fully now, then fully tighten the rest with the provided Allen wrench

Figure D

1. **SCREW** a caster into the end of each steel leg, making sure they are tight and seated against the leg bottom

Figure E

1. **FLIP** the desk upright, step on the levers to lock the casters
2. **SLIDE** the drawer into position by aligning the drawer slide track (pre-mounted) with the matching slide mechanism mounted to the leg assembly
3. **PUSH** the drawer into the desk to fully engage the slide extensions, then extend the slides fully into their locked position

**NOTE** there are buttons facing out and to the front of the slider, push in on the button to disengage the lock out feature

Figure C

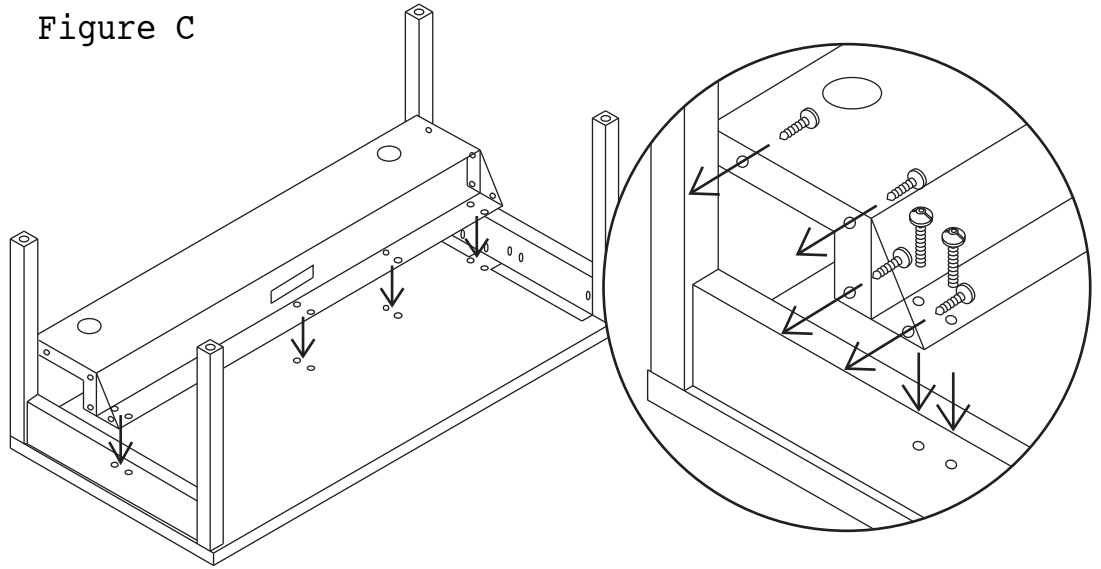


Figure D

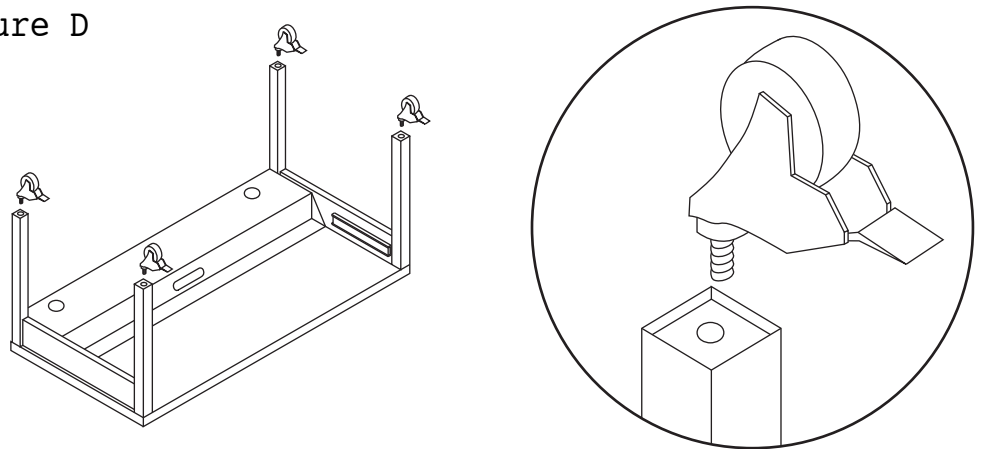


Figure E

