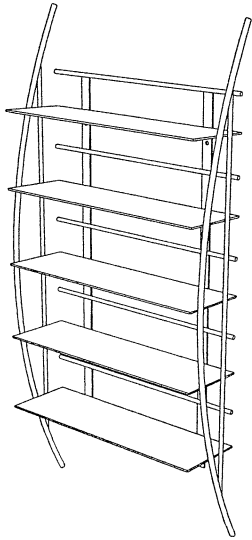


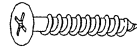


SONA DVD WALL UNIT



Thank you for purchasing the **Sona DVD Wall Unit**. This page lists all the contents included in the box. Please take time to identify the hardware as well as the individual components of this product. As you unpack and prepare for assembly, place the contents on a carpeted or padded area to protect them from damage.

HARDWARE



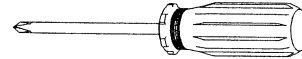
6 - screws



6 - plastic drywall anchors

TOOLS REQUIRED

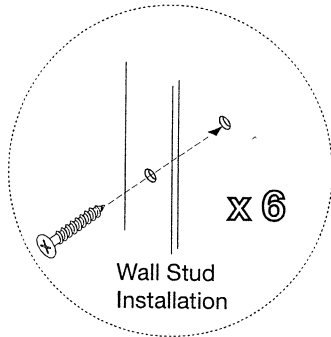
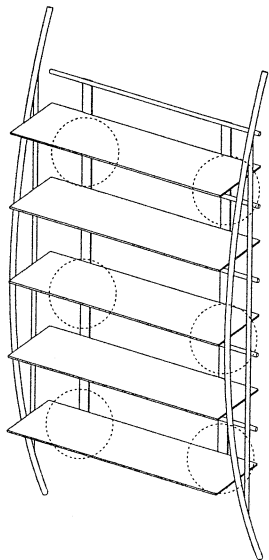
Phillips head screwdriver



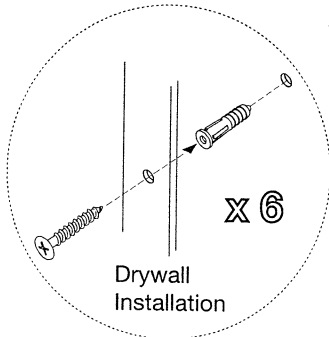
1/8" drill (for wall stud installation)



3/16" drill (for drywall installation)



Wall Stud Installation



Drywall Installation

WALL MOUNTING INSTRUCTIONS

IMPORTANT NOTE: The wall mounting hardware included with this unit is intended for drywall installation only. Be sure to use hardware appropriate for your wall type. If you are unsure about your wall type or what mounting method you should use, consult a qualified professional or your local hardware store.

1. With the assistance of another adult, place unit in desired position on wall, making sure it is level. Mark the 6 hole locations on the wall with a pencil.
2. To install the unit directly into wall studs (recommended) pre-drill the marked hole locations with a 1/8" drill bit. Fasten unit to wall with 6 **screws** with a phillips head screwdriver. No wall anchors are necessary when mounting to wall studs.
3. To install in drywall, pre-drill the marked hole locations with a 3/16" drill bit and insert 6 **plastic drywall anchors** so they are flush to the wall surface. Insert 6 **screws** through holes in the unit and into the drywall anchors. Secure each screw with a phillips head screwdriver, but do not over-tighten.

CLEANING AND CARE

Clean surfaces with a dry or damp soft cloth. Do not use abrasive cleaners.

Page 1 of 1