



Love Design. Get Offi!

## TOOLS YOU'LL NEED

provided – 1 allen key

PLEASE read instructions through before assembly.

## LET'S GET STARTED!

UNPACK all components. Place the contents on a carpeted or padded area to protect them from damage.

LINE UP the front panel, back panel and crossbar structures as shown.

Fit **crossbar** onto corresponding bracket of **front panel** and **back panel** as shown. Secure crossbar assembly with 2 **bolts** and with an **allen key**. (The crossbar screws face down toward feet.) Do not fully tighten the bolts.

# ARP 30" BARSTOOL

assembly instructions

## WHAT IS IN THE BOX?



1- seat



1- front panel



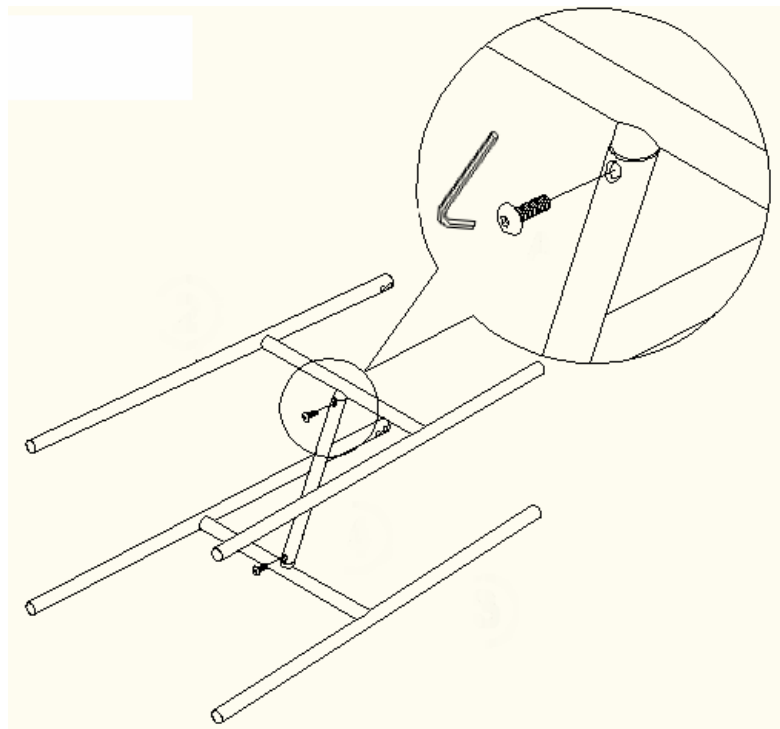
1- back panel



1 – crossbar



10 - bolts





Love Design. Get Offi!

# ARP 30" BARSTOOL

assembly instructions

Fit **stool frame** onto corresponding bracket of **seat** with 8 **bolts** as shown. Do not fully tighten the bolts.

Position barstool upright.

At this point, fully tighten all bolts with an allen key. Assembly is now complete.

## Cleaning & care

Clean surfaces with a dry damp soft cloth. Do not use abrasive cleaners.

